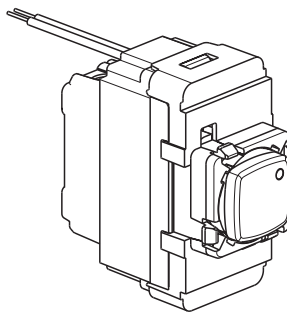
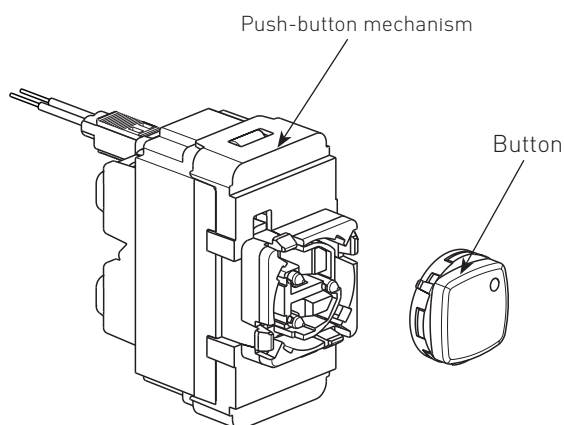


AR970LMWE / AR970LBPMWE / AR970LELVMWE



AR970LIMMWE

Package Contents



- 1 x Push-button mechanism
- 1 x Pack of buttons
- Instruction Sheet

For colour variation, order separately pack of buttons (pack of 20):

- ARPBCOV970LMGN (Magnesium)
- ARPBCOV970LCHP (Champagne)
- ARPBCOV970LALU (Aluminium)

Technical specifications

	AR970LMWE	AR970LIMMWE	AR970LBPMWE	AR970LELVMWE
Nominal Input Voltage	250 V a.c.			12/24 V d.c.
Rating (Fluorescent/Incandescent)	10 AX	10 AX	10 A	5 A
Rating (LED)	100 W			-
Switch type	2-way	Intermediate	Momentary	
Terminals	2 x 1.5 mm ² or 1 x 2.5 mm ²			

Important Information

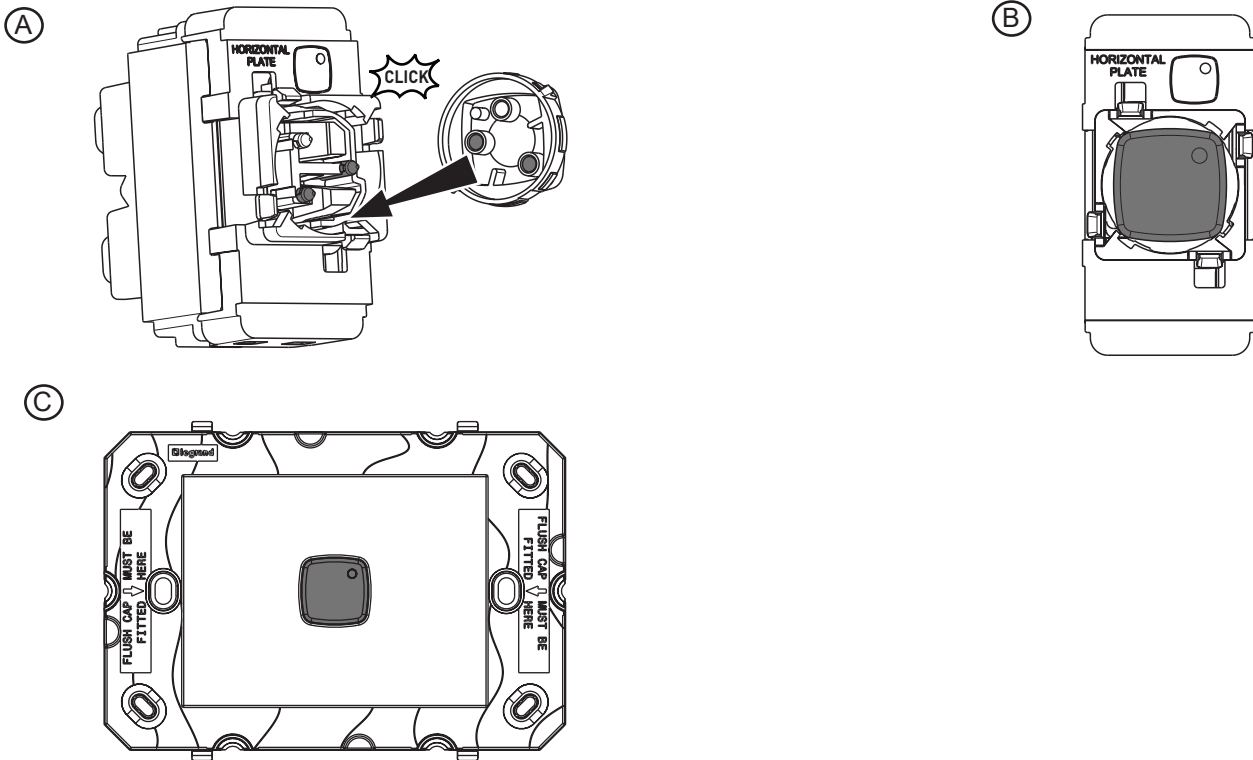
- This product must be installed and used as per these instructions.
- This product must be installed by a licensed electrician or similarly qualified person.
- V90-rated building wire must be used when wiring this product.
- This product has been designed with limited short circuit protection.
- Repeated short circuits may still damage the product.
- Severe electromagnetic interference from other products may cause malfunction of this product.
- This product should only be cleaned with a damp cloth. Cleaning agents and solvents should not be used.
- This product contains no serviceable parts and no attempt should be made to repair this product. If the product is faulty it should be discarded.
- Legrand reserves the right to modify the specifications of this product at anytime.

Installation

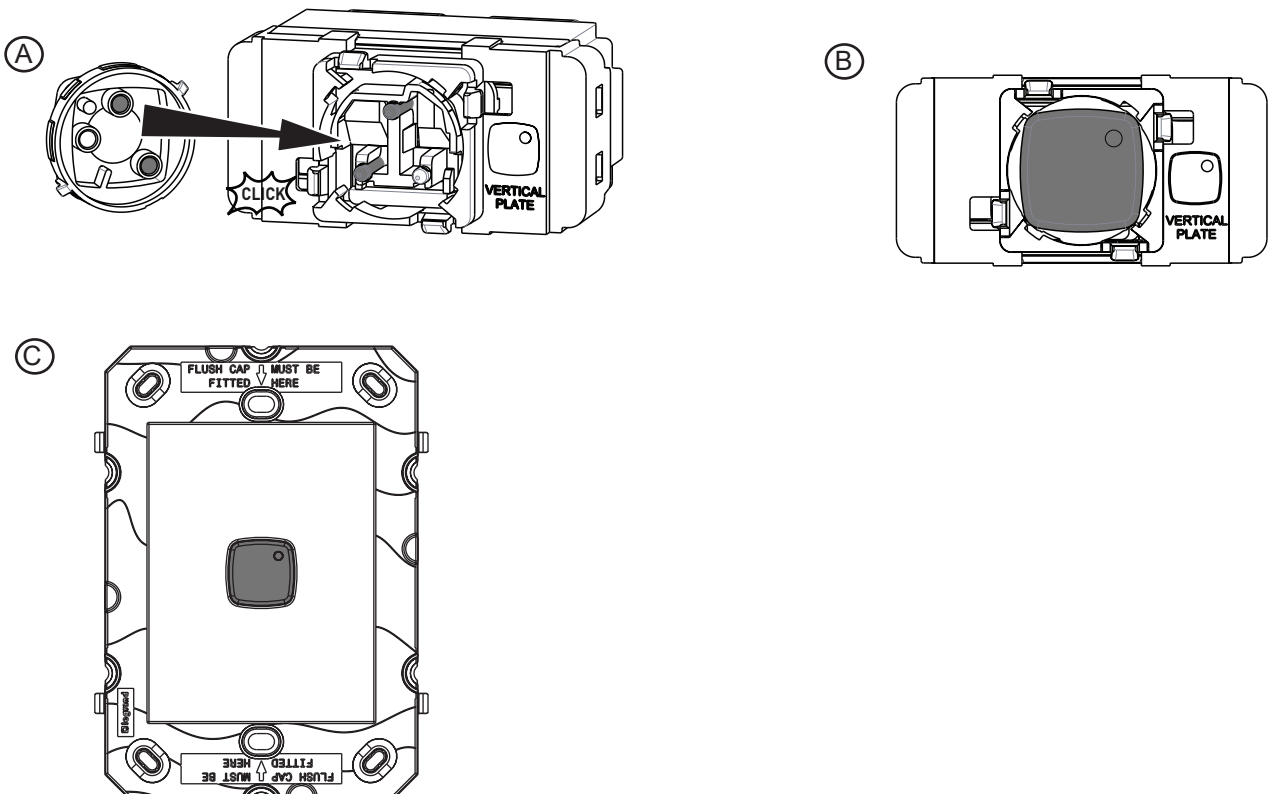
(Note: Laser marking is done on front of mechanism for guidance)

1. Pick the button with the desired coloured LED lens: Red or Blue
2. Check the wall plate orientation: Vertical or Horizontal. See fig. C.
3. Clip the button and **press firmly** on the mechanism. See fig. A and B.
4. Clip the assembly into the grid and proceed to wiring (Refer to wiring section below).

Horizontal Plate

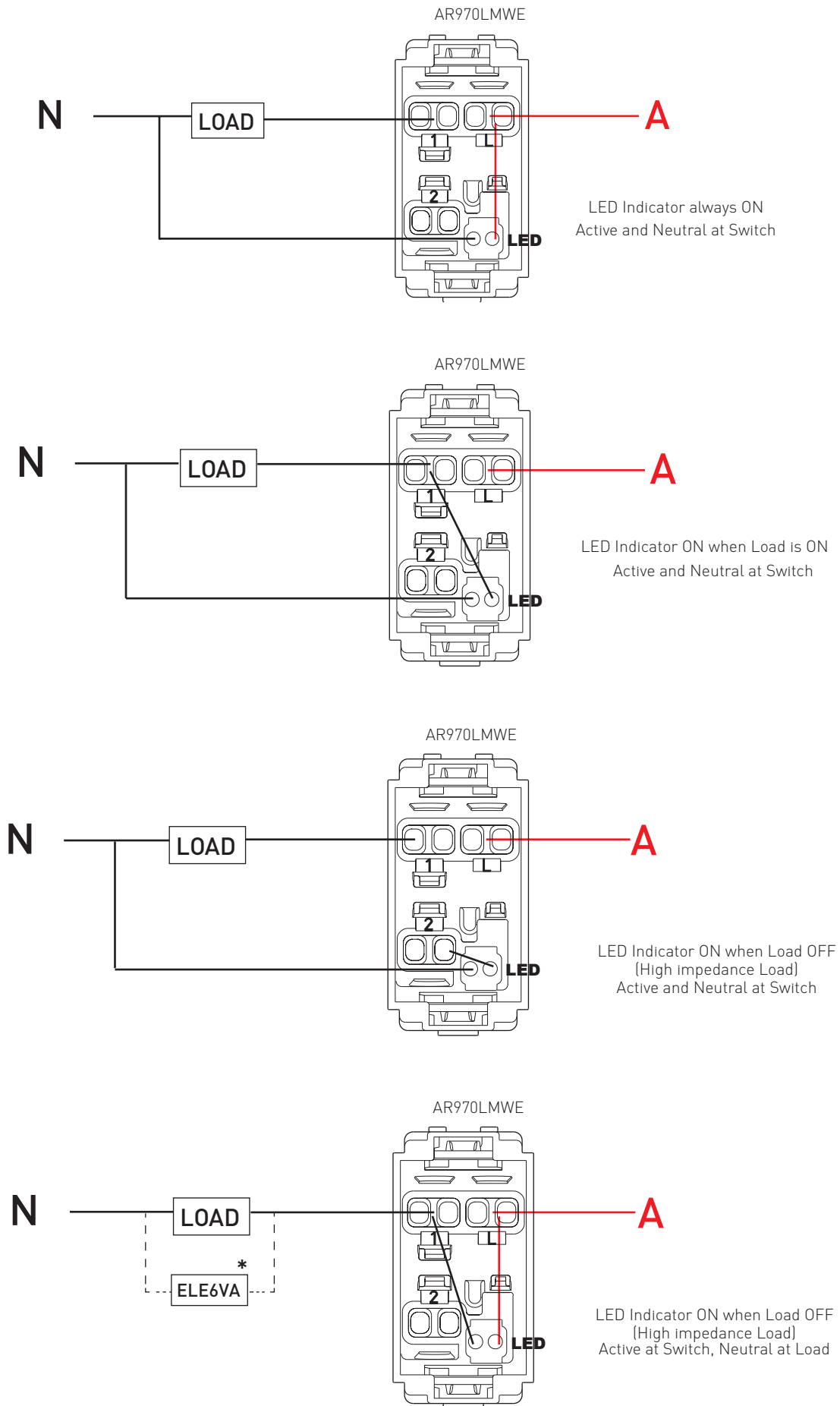


Vertical Plate

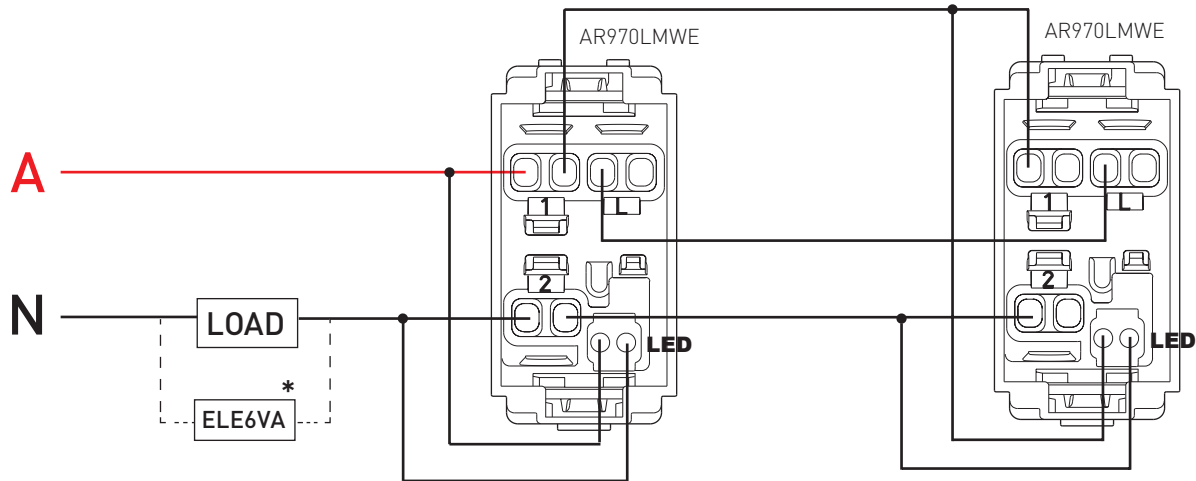


Wiring

One way switching

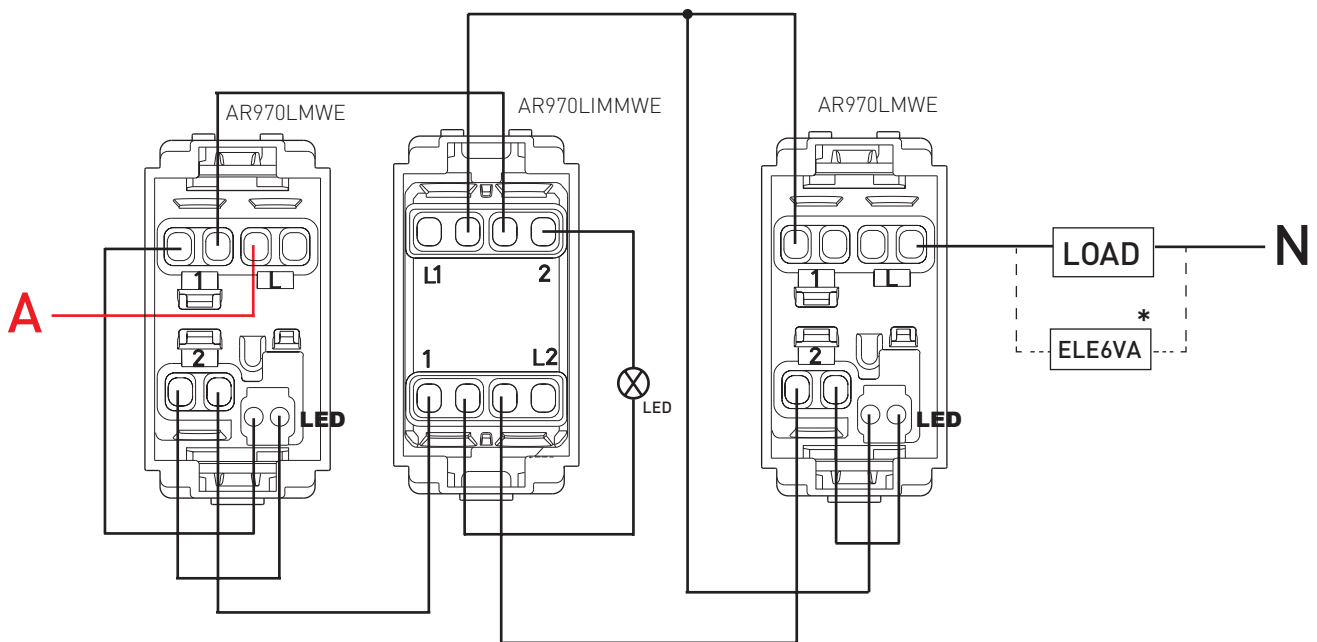


Two way switching



LED Indicator ON when Load OFF
Active and Load at first Switch

Three or more way switching



LED Indicator ON when Load OFF
Active at first switch and Load at last switch

*May be required for High Impedance Loads

Warranty

Legrand will honour all statutory guarantees that you as a consumer are entitled to rely upon under the Australian and New Zealand Consumer Laws against a manufacturer, including a guarantee that this product is of acceptable quality.

To make a claim under any statutory guarantee you should first contact the supplier, or retailer from whom you purchased this product.

Customer Service

For all Customer Service and Technical Support please call Monday to Friday during business hours.

Legrand Australia
1300 369 777
www.legrand.com.au

Legrand New Zealand
0800 476 009
www.legrand.co.nz

ABN: 31 000 102 661

